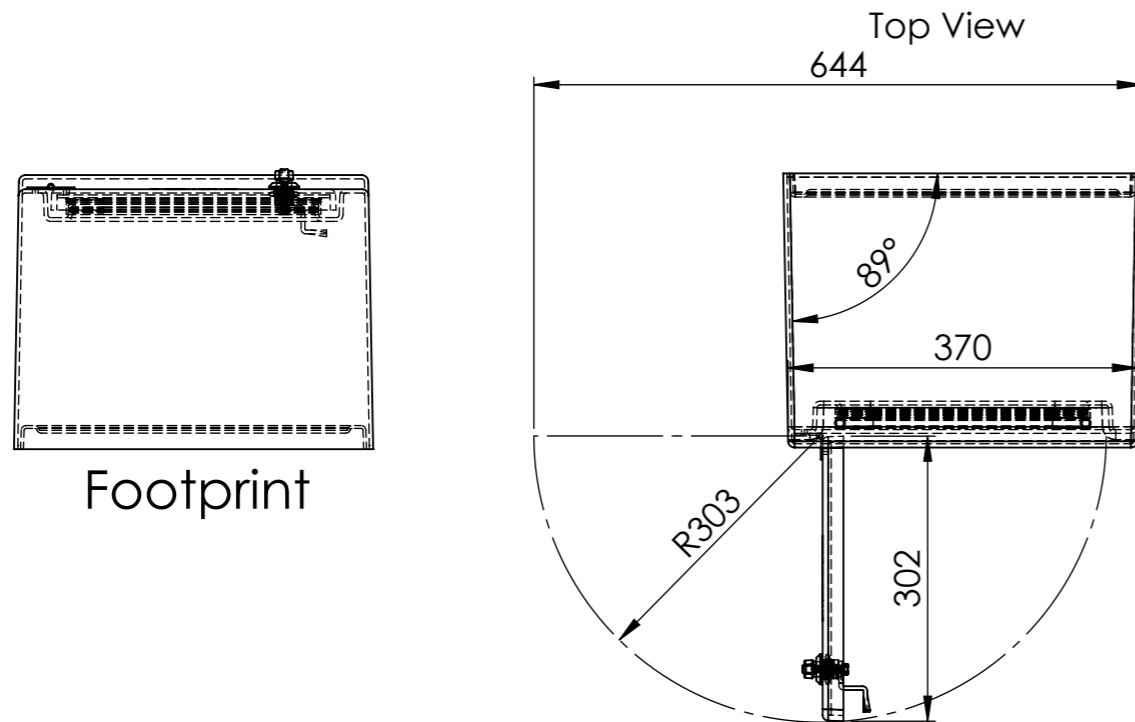
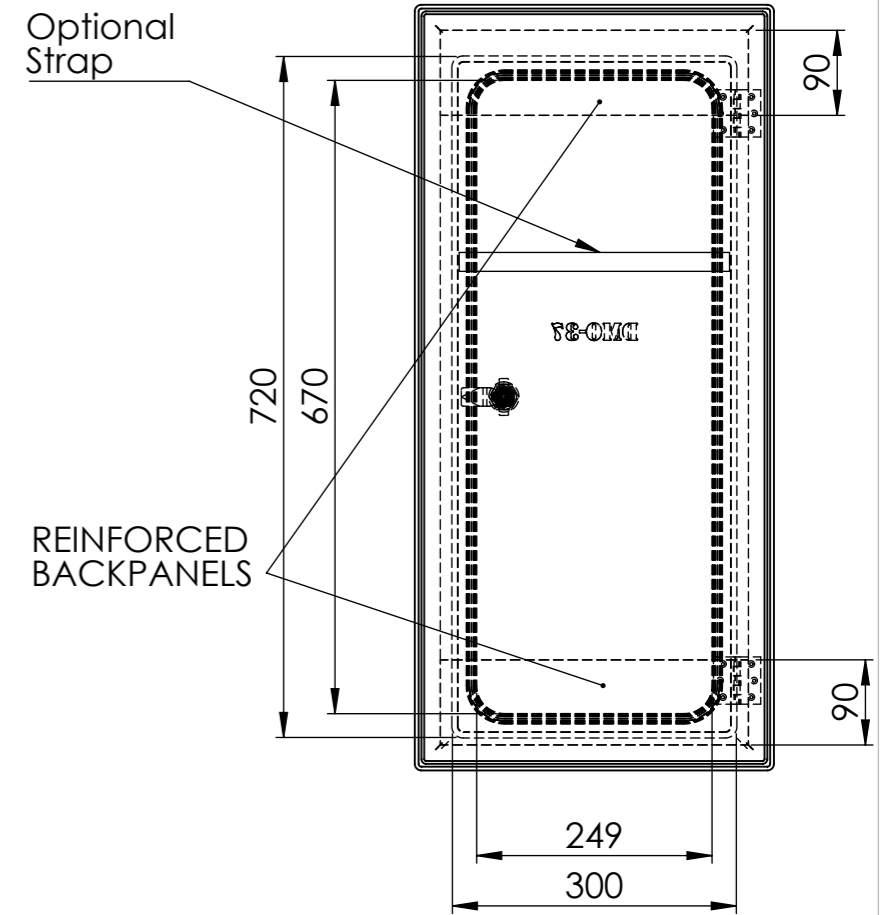


ISO View



Rear View



Colour	RALxxxx
Material	3-4mm GRP
Lock and hinges	Stainless steel
Weight cabinet	xxKg
Weight cabinet incl. content	Invulbaar
C.O.G.	X 270 / Y 100 / Z 401 from datum
Text on cabinet	Invulbaar
Tag on cabinet	Invulbaar
Mounting instructions	Invulbaar

Storage for	
-------------	--

Dräger	Date	Name	SW Filename
	Drawn 13-1-2023	B.S.	DMO_37_00
Dräger Nederland B.V. Marine & Offshore Beurtschipperstraat 1 3194 DK, Hoogvliet-RT the Netherlands		Comments: +31 10 2952772	

Scale: 1:8	Projection	Description:	Art.Nr:	Sheet	Format:
Units: mm		DMO Cabinet 37	DMO_37	1 of 5	A3