

## GRP storage cabinet: DMO-12

Dräger Marine & Offshore cabinets are designed for tough offshore conditions. Manufactured from durable GRP material, these cabinets are rated to IP56, certified by Lloyds. All cabinets are manufactured with stainless steel locks and hinges. The cabinets can be configured to suit different storage requirements.



### Features

#### Room to store

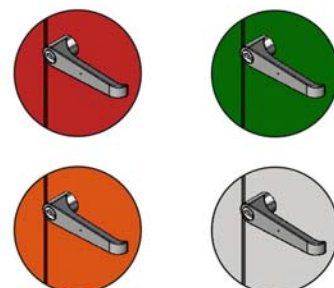
- Basket stretchers / Scoop stretchers
- First aid kit
- Stretcher blankets
- Safety torches
- Radio's
- Rescue materials

#### Options

- Shelves
- Ventilation
- Flame retardant version
- Heaters (conventional / ATEX approved)
- Lighting (conventional / ATEX approved)
- Lettering

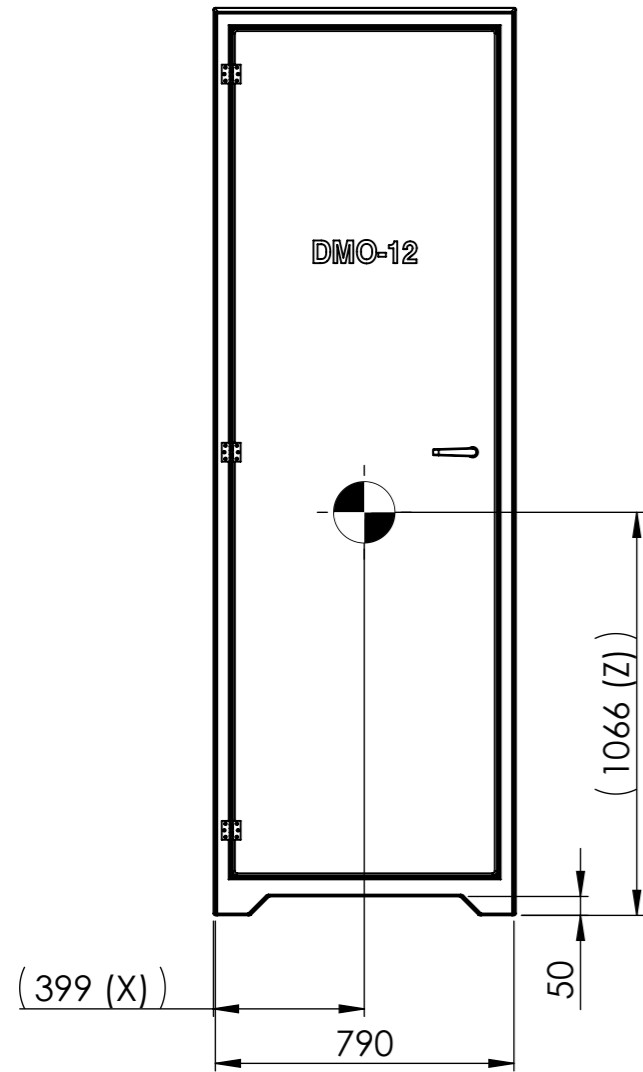
### TECHNICAL SPECIFICATIONS

Dimensions	800 x 300 x 2400 mm (WxDxH)
Aperture dimensions	647 x 300 x 2185 mm (WxDxH)
Angle of door opening	90°
Weight	40 kgs
Material	GRP
Colour	Safety Green RAL 6002 Firefighting Red RAL 3000 Safety Orange RAL 2009 Lifesaving White RAL 9010
IP rating	IP56
Door catch	Nylon
Door handle	SS 316
Hinges	SS 316
Seal	EPDM
Reinforcement	Core material
Lettering	White
Approvals	IP56 BS EN 60529:1992 Lloyds

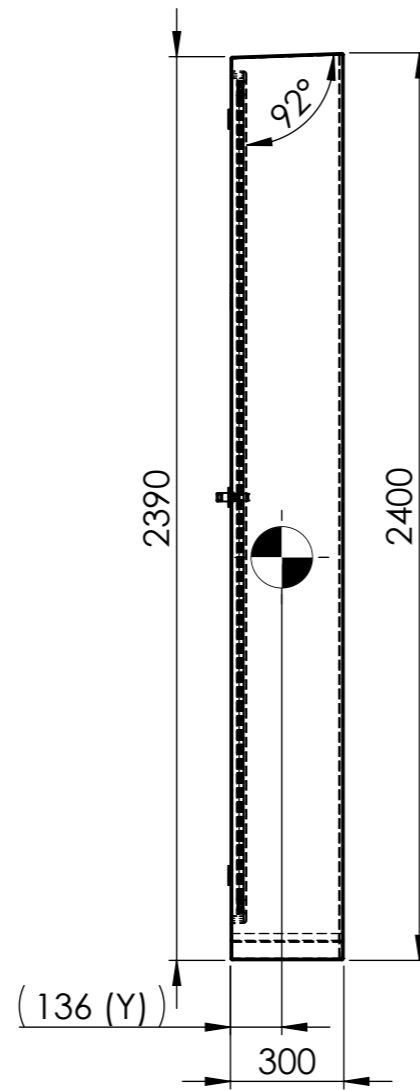


**GRP storage cabinet: DMO-12**  
IP56 rated and Lloyds certified

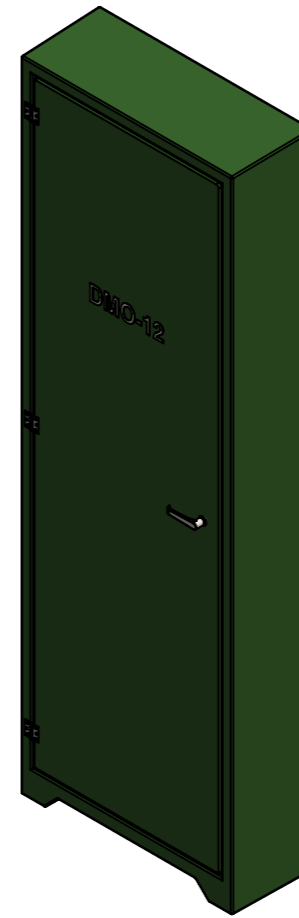
Front View



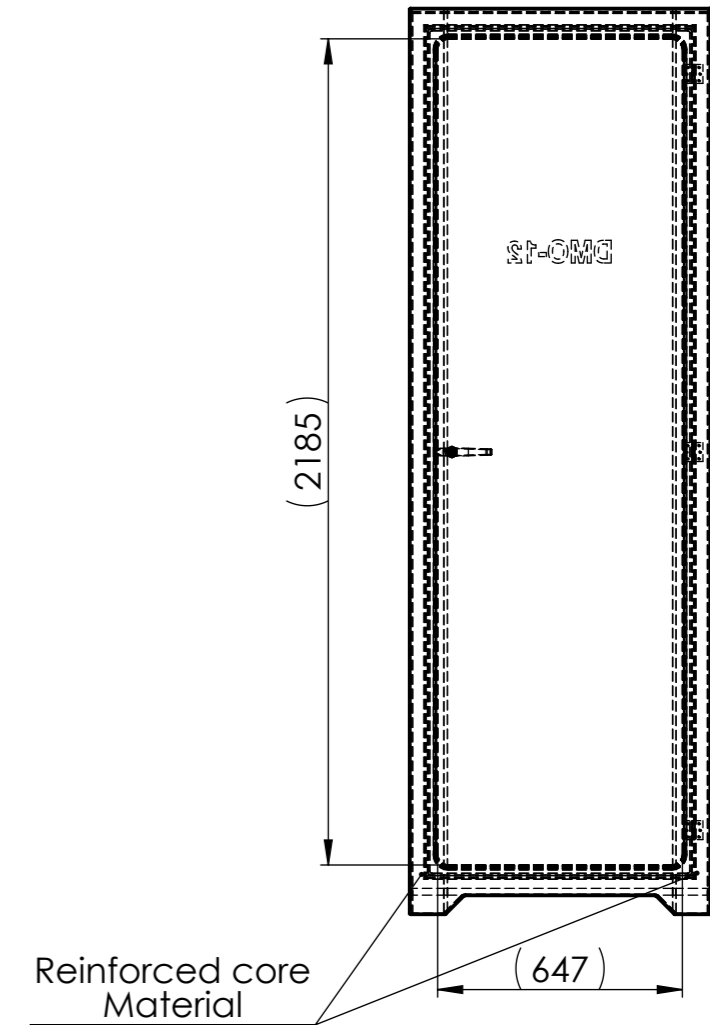
Side View



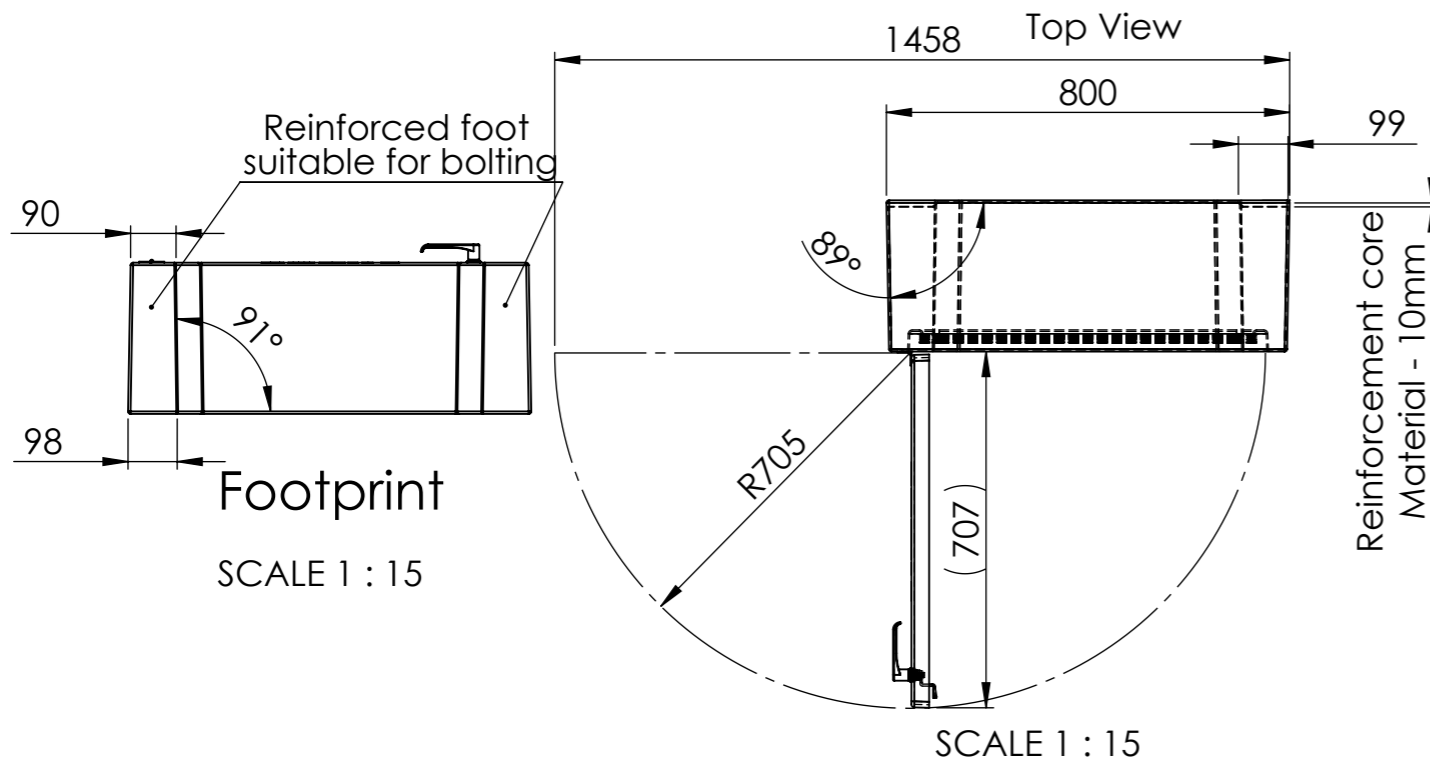
ISO View



Rear View



Top View



Footprint

SCALE 1 : 15

SCALE 1 : 15

Colour	RALxxxx
Material	3-4mm GRP
Lock and hinges	Stainless steel
Weight cabinet	xxKg
Weight cabinet incl. content	Invulbaar
C.O.G.	X 399 / Y 136 / Z 1066 from datum
Text on cabinet	Invulbaar
Tag on cabinet	Invulbaar
Mounting instructions	Invulbaar
Storage for	



Date	Name	SW Filename
13-2-2023	B.S.	DMO_12_00

Dräger Nederland B.V.  
Marine & Offshore  
Beurtschipperstraat 1  
3194 DK, Hoogvliet-RT  
the Netherlands

Comments:  
+31 10 2952772

Scale: 1:20	Projection	Description:	Art.Nr:	Sheet	Format:
Units: mm		DMO Cabinet 12	DMO_12	1 of 4	A3